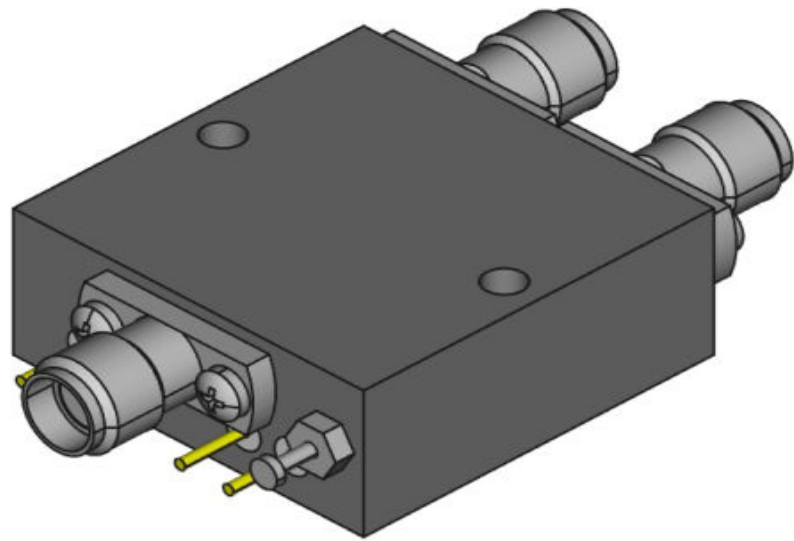
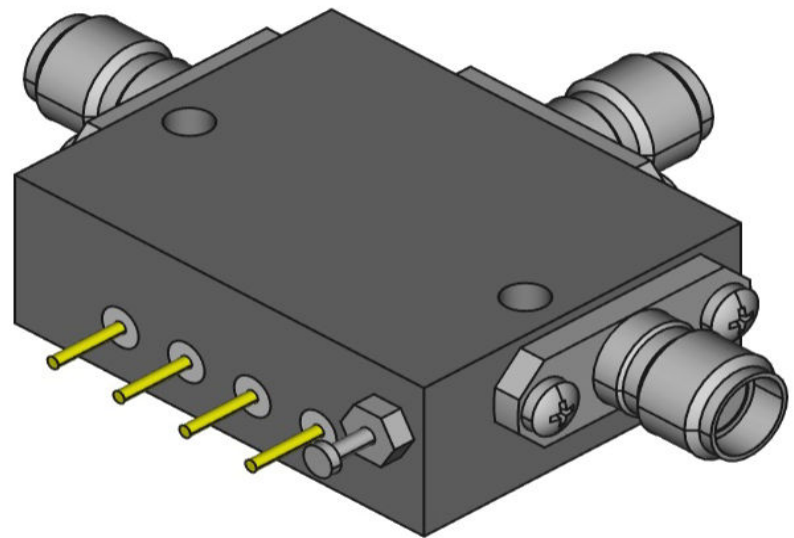


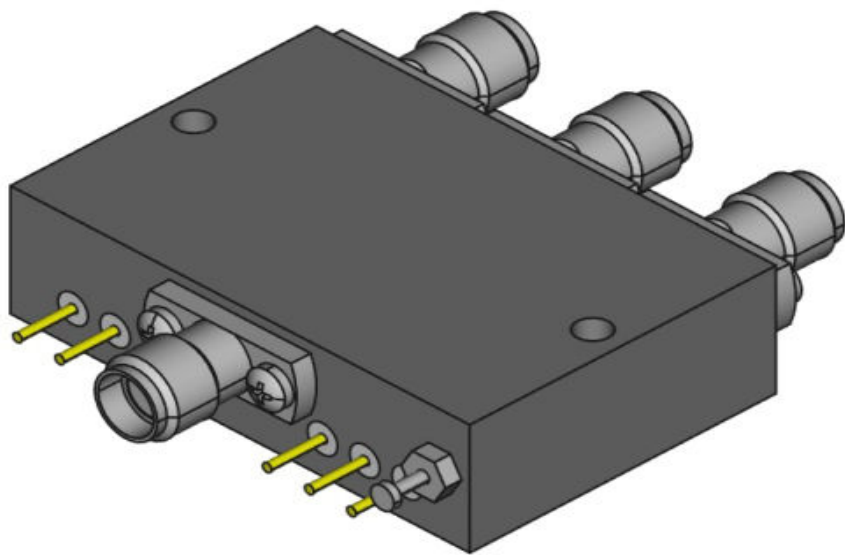
Part Number	Status	Description	Package Type	Frequency (GHz)	Insertion Loss (dB)	Gain (dB)	Isolation (dB)	VSWR	Supply Voltages (1 Path ON)	Supply Voltages (All Paths OFF)	Package Size
INA-S2R1-0518	Preliminary	SP2T Reflective	Radial	0.5-18	2.5	-	65	2.0:1	+5V/50mA -12V/50mA	+5V/100mA -12V/5mA	1.1"x0.85"
INA-S2A1-0518	Preliminary	SP2T Absorptive	Radial	0.5-18	3	-	65	2.0:1	+5V/50mA -12V/50mA	+5V/100mA -12V/5mA	1.1"x0.85"
INA-S2R2-0518	Preliminary	SP2T Reflective	In-Line	0.5-18	3	-	65	2.0:1	+5V/50mA -12V/50mA	+5V/100mA -12V/5mA	1"x1"
INA-S2A2-0518	Preliminary	SP2T Absorptive	In-Line	0.5-18	3.5	-	65	2.0:1	+5V/50mA -12V/50mA	+5V/100mA -12V/5mA	1"x1"
INA-S3R1-0518	Preliminary	SP3T Reflective	Radial	0.5-18	3	-	65	2.0:1	+5V/100mA -12V/50mA	+5V/150mA -12V/5mA	1"x1"
INA-S3A1-0518	Preliminary	SP3T Absorptive	Radial	0.5-18	3.5	-	65	2.0:1	+5V/100mA -12V/50mA	+5V/150mA -12V/5mA	1"x1"
INA-S3R2-0518	Preliminary	SP3T Reflective	In-Line	0.5-18	3.5	-	65	2.0:1	+5V/100mA -12V/50mA	+5V/150mA -12V/5mA	1.5"x1"
INA-S3A2-0518	Preliminary	SP3T Absorptive	In-Line	0.5-18	4	-	65	2.0:1	+5V/100mA -12V/50mA	+5V/150mA -12V/5mA	1.5"x1"
INA-SA2R1-0518	Preliminary	Amplifier+SP2T Reflective	Radial	0.5-18	-	7.5	65	2.5:1	+12V/70mA -5V/50mA	+12V/10mA -5V/100mA	1.1"x0.85"
INA-SA2A1-0518	Preliminary	Amplifier+SP2T Absorptive	Radial	0.5-18	-	7	65	2.5:1	+12V/70mA -5V/50mA	+12V/10mA -5V/100mA	1.1"x0.85"
INA-SA2R2-0518	Preliminary	Amplifier+SP2T Reflective	In-Line	0.5-18	-	7	65	2.5:1	+12V/70mA -5V/50mA	+12V/10mA -5V/100mA	1"x1"
INA-SA2A2-0518	Preliminary	Amplifier+SP2T Absorptive	In-Line	0.5-18	-	6.5	65	2.5:1	+12V/70mA -5V/50mA	+12V/10mA -5V/100mA	1"x1"
INA-SA3R1-0518	Preliminary	Amplifier+SP3T Reflective	Radial	0.5-18	-	7	65	2.5:1	+12V/70mA -5V/100mA	+12V/10mA -5V/150mA	1"x1"
INA-SA3A1-0518	Preliminary	Amplifier+SP3T Absorptive	Radial	0.5-18	-	6.5	65	2.5:1	+12V/70mA -5V/100mA	+12V/10mA -5V/150mA	1"x1"
INA-SA3R2-0518	Preliminary	Amplifier+SP3T Reflective	In-Line	0.5-18	-	6.5	65	2.5:1	+12V/70mA -5V/100mA	+12V/10mA -5V/150mA	1.5"x1"
INA-SA3A2-0518	Preliminary	Amplifier+SP3T Absorptive	In-Line	0.5-18	-	6	65	2.5:1	+12V/70mA -5V/100mA	+12V/10mA -5V/150mA	1.5"x1"



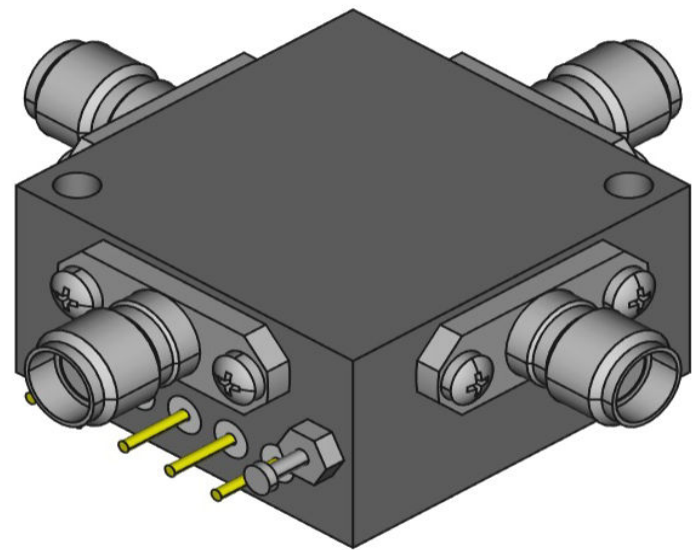
SP2T In Line Package



SP2T Radial Package



SP3T In Line Package



SP3T Radial Package